



ELEKS[®]



Efire Series Conventional Type Fire Alarm Devices⁽¹⁾

User's Guide

ES Fire Alarm Sounder	EB Fire Alarm Flasher W-2.4-7⁽³⁾	ESB Fire Alarm Sounder With Flasher W-2.4-7⁽³⁾
--	--	--

WARNING: PLEASE READ THESE INSTRUCTIONS CAREFULLY BEFORE YOU OPERATE OR COMMISSION THE DEVICE.

(1) Fire Alarm Flashers and Sounders compliant with the EN 54-3 and EN 54-23 standards

1. Usage Purpose

- May only be used indoor.
- The Fire Alarm Sounders must be placed according to the Fire Evacuation Plan and such to be heard from any possible points in order to operate compliant with their purpose.
- The selection of the mounting locations and commissioning should be performed with the technical service.
- The product doesn't need any further activations after being powered.
- 2 x 1,5 mm cables should be used.

2. Technical Features

	Efire-ES	Efire-EB	Efire-ESB
Supply Voltage	12/24 V DC	12/24 V DC	12/24 V DC
Alarm Current	10 mA	20 mA	20 mA
Class	Type A (Indoor)	Type A (Indoor)	Type A (Indoor)
Sound Level Max.	105 dB/m(A)	-	105 dB/m(A)
Sound Level Min.	74 dB/m(A)	-	74 dB/m(A)
Sound Pattern	8 Tone – 32 Melodies	-	8 Tone – 32 Melodies
Illuminating Area(2)	-	W-2,4-7 ⁽³⁾	W-2,4-7 ⁽³⁾
Protection Class	IP 44	IP 44	IP 44
Casing Material	ABS-FR	ABS-FR	ABS-FR
Operating Temperature	(-10°C) – (+55°)	(-10°C) – (+55°)	(-10°C) – (+55°)
Relative Humidity (Max.)	60-95%	60-95%	60-95%
Dimensions	Ø: 76 mm, h: 90 mm	Ø: 90 mm, h: 90 mm	Ø: 90 mm, h: 90 mm
Weight	160 g	170 g	190 g

(2) The environment sizes illuminated by the light source according to EN 54-23 are indicated.

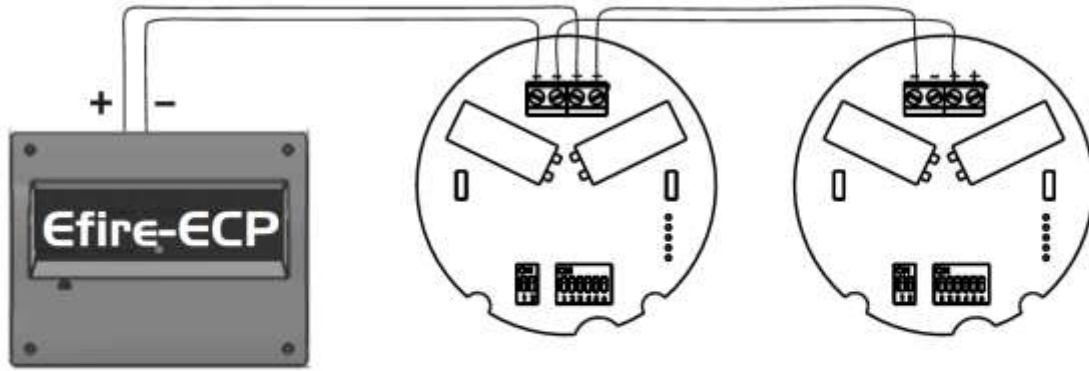
(3) W: May be mounted on walls.

2,4: May be mounted max. 2.4 m above ground level.

7: May be used in rooms of max. 7 x 7 metres.

3. Mounting Instructions

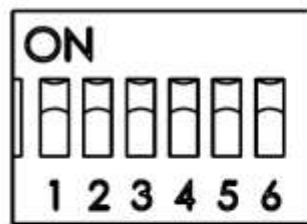
- 1- Perforate the cable hole (point a) of the lower casing (Figure 1) and insert the sounder cables here.
- 2- Place the washer at locations, where IP 44 needs to be used (Figure 2).
- 3- Perform the wall mounting according to the dimension of the wall mounting points.
- 4- Perform the connection between the connector in the upper casing (Figure 2(a)) with the connector indicated on Page 2.
- 5- Place the upper casing (Figure 2(a)) according to the notches to be seen in the figure on the lower casing (Figure 2(b)).
- 6- Turn the casing counter clock wise.
- 7- Fix the plastic metric 2,5 x 6,5 mm screw in the box into the screw hole in the lower casing.



Light

Sound

Settings



Time On Duration
50 msec/70 msec
Period 2 sec/1,5 sec

Low and High
Sound Level
Melody Selection (Table 3)

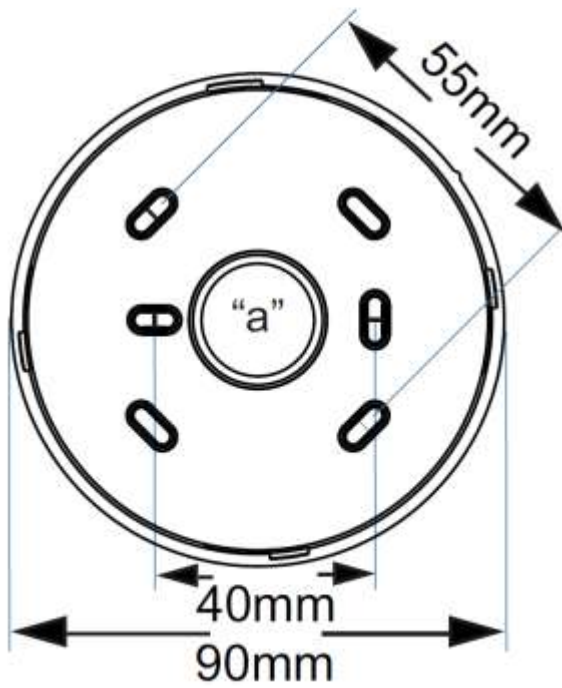


Figure 1

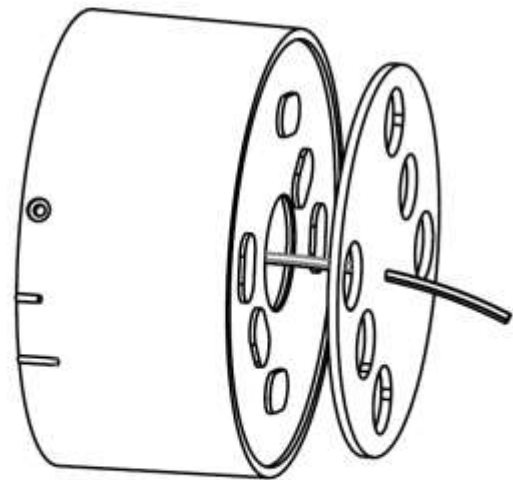


Figure 2

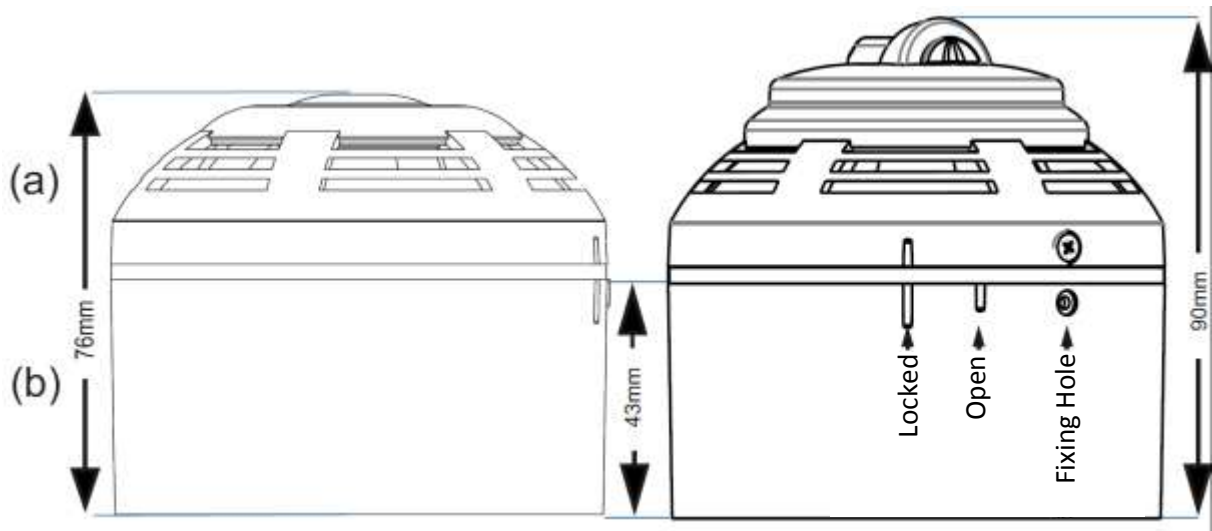


Figure 3

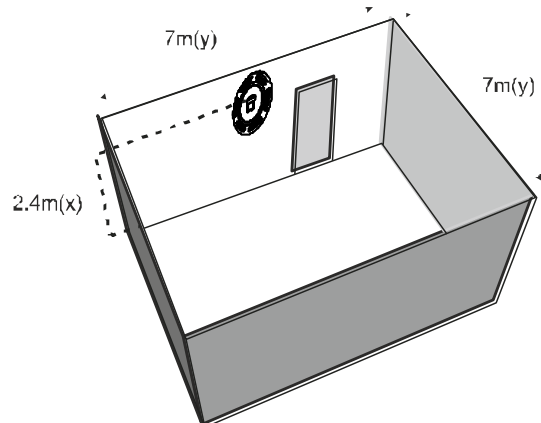
4. Warnings

- Be sure that the sounder line connections are correct.
- Perform the periodical maintenances.
- Call the authorized service for the annual control.
- Avoid contact with water, dust and chemical materials.
- Don't touch with wet hands.
- The plastic protection must remain on until it is ready for use.
- The product warranty term is 2 (two) years.
- The product usage life term determined by the ministry is 5 years.

5. IP Switch Configuration

The flashing settings applicable to the EB and ESB models are as indicated below.
 The product is suitable to be used at every switch setting condition for the room sizes indicated in Figure 4.

	Dip Switch		On Time	Period
1	0	0	70 msec	1.5 sec
2	0	1	70 msec	1.5 sec
3	1	0	50 msec	2 sec
4	1	1	50 msec	2 sec



6. Sound Switch Configuration

Dip Switch 1-2-3-4-5		Sound Model	Low (dB/m)**	High (dB/m)*
1	0-0-0-0-0		85,4	101
2	0-0-0-0-1		83	97,6
3	0-0-0-1-0		81	94
4	0-0-0-1-1		80,1	93,3
5	0-0-1-0-0		79	91,3
6	0-0-1-0-1		85,1	98
7	0-0-1-1-0		87,1	103,6
8	0-0-1-1-1		83,4	98,1
9	0-1-0-0-0		80,1	93,3
10	0-1-0-0-1		82,4	97,8
11	0-1-0-1-0		84,1	96,8
12	0-1-0-1-1		74	88,5
13	0-1-1-0-0		91	105
14	0-1-1-0-1		85,6	101
15	0-1-1-1-0		85,9	102
16	0-1-1-1-1		84,5	99,5
17	0-0-0-0-0		87,4	102,5
18	1-0-0-0-1		90,2	104,1
19	1-0-0-1-0		89,9	101,4
20	1-0-0-1-1		84,4	99,8
21	1-0-1-0-0		83,4	97,6
22	1-0-1-0-1		86	97,2
23	1-0-1-1-0		85,3	102,8
24	1-0-1-1-1		86,3	101,6
25	1-1-0-0-0		84,6	101,4
26	1-1-0-0-1		89,6	103,4
27	1-1-0-1-0		88,1	102,1
28	1-1-0-1-1		84,8	94,8
29	1-1-1-0-0		84,2	96,1
30	1-1-1-0-1		86,6	95,2
31	1-1-1-1-0		87,5	100,2
32	1-1-1-1-1	DEMO MODE	90,2	105

* When the 6th pin is in position 1

** When the 6th pin is in position 0

AUTHORIZED SERVICE

MANUFACTURER COMPANY / Central Service

TITLE : ELEKS ELEKTRİK ELEKTRONİK SİSTEMLERİ SANAYİ VE TİCARET
LIMITED ŞİRKETİ

ADDRESS : Şerifali Mah. Bayraktar Bulvarı Emin Sok. No. 3 Yukarı Dudullu –
Ümraniye / İstanbul

PHONE : 0216 463 47 28 – 29 – 30

FAX : 0216 463 47 31

E-Mail : eleks@eleksyangin.com

Web : www.eleksyangin.com

	<p>TS EN 54-3 TS EN 54-23 Conventional Fire Alarm Sounders and Flashers</p> <p>Efire-ESB, Efire-ES, Efire-EB</p> <p>Technical Data: Refer to the manufacturer.</p>
--	--

WARRANTY CERTIFICATE

1. The warranty term starts as of the date of the delivery and is 2 (two) years.
2. The whole product, including all parts, is within the scope of the warranty of our company.
3. The duration spent for repair is added to the warranty term in case of a defect of the product during the warranty term. The repair term of the product is maximal 30 (thirty) working days. This term starts as of the delivery date of the product to the service station, and in case of an absence of a service station, as of the notification to the seller, distributor, agency, representation, importer or manufacturer of the product, respectively.
4. In case of a defect of the product during the warranty term due to both material and workmanship and assembly, it shall be repaired without requesting any costs for workmanship, the changed part(s) or under any other title.
5. The product will be replaced charge-free, when
 - the same defect should be repeated more than 2 times within 1 year or when the product shouldn't be able to be used permanently due to more than 4 different defects, provided to be within the term of the warranty,
 - the max. repair term should be exceeded
 - in case of the absence of a service, it should be determined in the report to be established by the seller, distributor, agency, representation, importer or manufacturer of the product, respectively, that the product is not able to be repaired.
6. Defects due to usage of the product contrary to the issues indicated in the user's guide are excluded from the scope of the warranty.
7. The Ministry for Industry and Trade, General Directorate for the Preservation of Consumers and Competition can be referred to in case of disputes arising out of the warranty certificate.

At the usage of this warranty certificate: it is issued pursuant to the documents obtained the Republic Turkey, Ministry for Industry and Trade, General Directorate for the Preservation of Consumers and Competition pursuant to the Code Regarding the Preservation of Consumers No 4 and the Directive Regarding the Application Principles of Warranty Certificates based on this Code. Date: December 18th 2007, Certificate No.: 47086

REPUBLIC TURKEY
MINISTRY FOR INDUSTRY AND TRADE
GENERAL DIRECTORATE
FOR THE PRESERVATION OF CONSUMERS AND COMPETITION
WARRANTY CERTIFICATE

Approval Date and Number of the Certificate:

This usage of this certificate is allowed by the Republic Turkey, Ministry for Industry and Trade, General Directorate for the Preservation of Consumers and Competition pursuant to the Code Regarding the Preservation of Consumers No 4 and the Directive Regarding the Application Principles of Warranty Certificates based on this Code.

MANUFACTURER / IMPORTER COMPANY

TITLE : ELEKS ELEKTRİK ELEKTRONİK SİSTEMLERİ SANAYİ VE TİCARET
LIMITED ŞİRKETİ
ADDRESS : Şerifali Mah. Bayraktar Bulvarı Emin Sok. No. 3 Yukarı Dudullu –
Ümraniye / İstanbul
PHONE : 0216 463 47 28 – 29 – 30
FAX : 0216 463 47 31

COMPANY AUTHORIZED

SIGNATURE – STAMP

PRODUCT

TYPE : Fire Alarm Devices
BRAND : ELEKS
MODEL :
BANDROL AND SERIES :
DELIVERY DATE AND PLACE :
WARRANTY TERM : 2 (TWO) YEARS
MAX. REPAIR TERM : 20 WORKING DAYS

SELLER COMPANY

TITLE :
ADDRESS :
PHONE :
FAX :

DATE – SIGNATURE - STAMP