



Nova Series Intelligent Addressable Type Input / Output Models ¹ User's Guide

**NOVA - AI/O
Intelligent Addressable
Input / Output
Module with Isolator**

**NOVA - MIM
Intelligent Addressable
Mini Input
Module with Isolator**

**NOVA - MOM
Intelligent Addressable
Mini Output
Module with Isolator**

WARNING: PLEASE USE THIS INSTRUCTION CAREFULLY
PRIOR TO OPERATING OR COMMISSIONING THIS DEVICE.

¹ THIS PRODUCT HAS EN54-17, EN54-18 STANDARDS

1. Usage Purpose

It is designed for systems using ELEKS protocol with EN 54-17 and EN 54-18 standards.

AI/O : It is used to take contact input and/or give contact output. It works with a single address. In case of alarm, the relay triggers, with a single trigger, dual outputs are active at the same time. The monitoring input part has an end of line and alarm resistance. Also, do not energize the AI/O module without energizing the panel. This may cause differences in the positions of the relays on the AI/O module. After the panel is energized, the relays on the AI/O module are in parking mode. In Parking mode; the positions of the relays are closed as the factory setting, that is, Common-NC is short-circuited, Common-NO is open-circuit.”

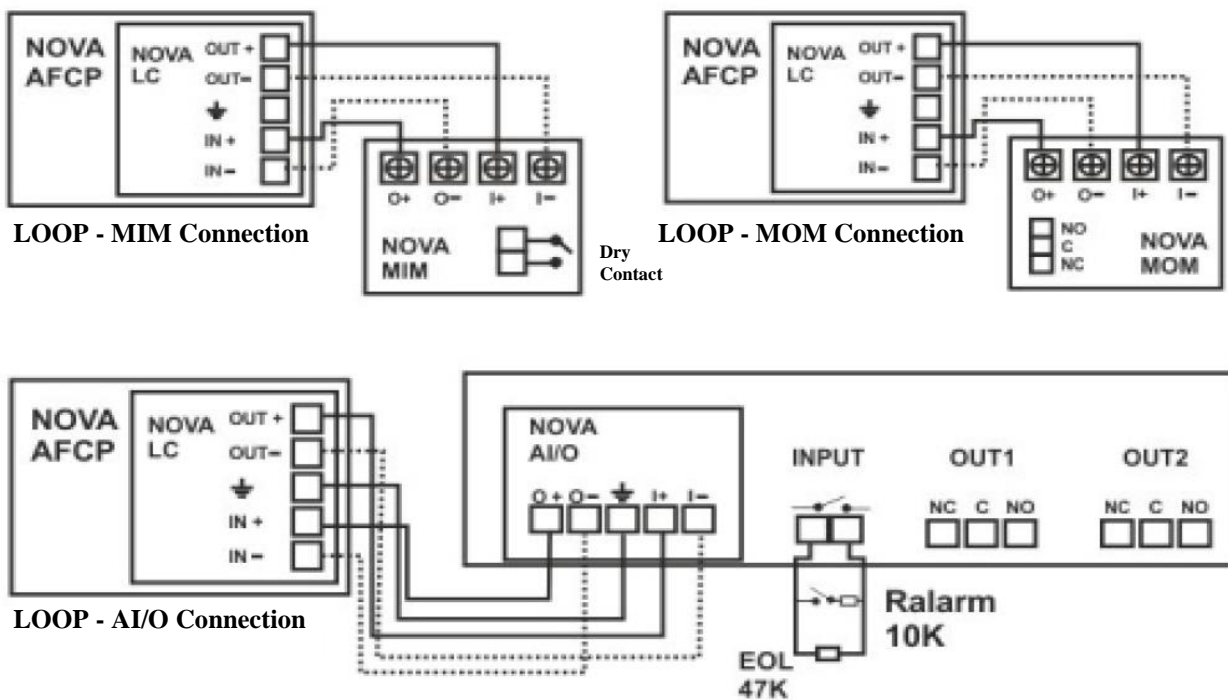
MIM : It is used to receive contact input. There is no monitoring option.


MOM : It is used to give contact output.

2. Technical Specifications

	AI/O	MIM	MOM
Supply voltage	24 VDC	24V VDC	24V VDC
Tranquility Current	1 mA	300 ± 10µA	300 ± 10µA
Alarm Current	3 mA	2 mA	2 mA
Feeding Time	9 sec	9 sec	9 sec
Power Indicator	Red LED (Short Flasher)	Red LED (Short Flasher)	Red LED (Short Flasher)
Alarm Indicator	Red LED (Constant)	Red LED (Constant)	Red LED (Constant)
Error Indicator	Yellow LED (Constant)		

3. Mounting Instructions:



	<p>If the In and Out connections on the line are not made correctly as in the manual, the isolator will not work properly.</p>
---	--

4. Warnings

- Make sure to perform periodic maintenance.
- Call the authorized service for Annual Inspection.
- Avoid contact with water, dust and chemicals.
- Do not touch with wet hands.
- The plastic enclosure must remain attached until the product is ready for use.
- The product warranty period is 2 (two) years.
- The life of the goods used by the Ministry is 5 years.



TURKISH REPUBLIC
MINISTRY OF INDUSTRY AND TRADE OF PROTECTION OF
CONSUMER AND COMPETITION
GENERAL DIRECTORATE
WARRANTY CERTIFICATE

Approval Date and Number of Document:

In the use of this document; Permission has been granted by the Republic of Turkey General Directorate of Protection of Consumer and Competition pursuant to the Law No. 4077 on the Protection of the Consumer and the Regulation on the Implementation Principles of the Warranty Certificate, which was put into effect on the basis of this Law.

MANUFACTURER / IMPORTER

TITLE : Eleks Electric Electronic Systems Industry and Trade Limited Company
ADDRESS : Şerifali Region Bayraktar Avenue Emin Str. No:3 Yukarı
Dudullu - Umraniye / ISTANBUL
PHONE : 0216 463 47 28 -29 -30
FAX : 0216 463 47 31

COMPANY AUTHORITY

SIGNATURE-STAMP

THE PRODUCT'S

TYPE :
BRAND : ELEKS
MODEL :
BANDROLE AND SERIAL NO :
DELIVERY DATE AND PLACE :
WARRANTY PERIOD : 2 (TWO) YEARS
MAXIMUM REPAIR TIME : 30 WORKING DAYS

THE SELLER'S

TITLE :
ADDRESS :
PHONE :
FAX :
FAX INVOICE DATE AND NO :

DATE-SIGNATURE-STAMP

Warranty Certificate

1. The warranty period starts from the delivery date and is 2 (two) years.
2. The entire product, including all parts, is under the guarantee of our company.
3. In case of malfunction of the product within the warranty period, the period of repair is added to the warranty period. The repair period of the goods is maximum 30 (thirty) business days. This period starts from the date of notification of the goods to the service station, or to one of the seller, dealer, agency, representative, exporter or manufacturer, respectively, if there is no service station.
4. In case of malfunction of the product due to material and workmanship or assembly faults within the warranty period, it will be repaired without any demand under any other name, such as labor cost, replacement part cost, or any other name.
5. For this product
 - From the date of delivery, within 1 (one) year, provided that it remains within the warranty period, the continuity of the inability to benefit from the product as a result of the same failure being repeated more than 2 times or different failures occurring more than 4 times,
 - Exceeding the maximum time for repair,
 - In case the service station is not available, in case it is determined that the repair of the fault is not possible with a report to be prepared by one of the dealers, dealers' agents, representatives, importers or manufacturers, respectively, a replacement will be made free of charge.
6. Defects resulting from the use of the product contrary to the terms in the user manual are not covered by the warranty.
7. For problems that may arise regarding the warranty certificate, they can apply to the Ministry of Industry and Trade, General Directorate of Protection of Consumer and Competition.

In the use of this guarantee certificate; Pursuant to the Law on the Protection of the Consumer No. 4077 and the Regulation on the Implementation Principles of the Warranty Certificate, which was put into effect on the basis of this law, T.R. Singing. Trade It has been prepared in accordance with the following documents obtained from the Ministry of the General Directorate of Protection of Consumer and Competition. Date 18.12.2007 Document No. 47086

AUTHORIZED SERVICE

MANUFACTURER / Headquarters Service

PRODUCER COMPANY / SERVICE CENTER

TITLE : Eleks Electric Electronic
Systems Industry and Trade
Limited Company


ADDRESS : Şerifali Region Bayraktar
Avenue Emin Str. No:3
Yukarı
Dudullu - Umraniye /
ISTANBUL

PHONE : 0216 463 47 28 -29 -30

FAX : 0216 463 47 31

E-mail : eleks@eleksyangin.com

Web : www.eleksyangin.com

 2765 20 2765-CPR-0165/7 2765-CPR-0165/7 2765-CPR-0165/7	EN 54-17 / EN 54-18 Intelligent Addressable Mini Input Module with Isolator NOVA - MIM Performance declaration number : ELEKS-025.000
	EN 54-17 / EN 54-18 Intelligent Addressable Mini Output Module with Isolator NOVA - MOM Performance declaration number : ELEKS-025.000
	EN 54-17 / EN 54-18 Intelligent Addressable Input / Output Module with Isolator NOVA - AI/O Performance declaration number : ELEKS-025.000