



Efire-SKK Extinguishing Amplifier Board¹ User's Guide

Efire-SKK Extinguishing Amplifier Board

WARNING: PLEASE USE THIS INSTRUCTION CAREFULLY
PRIOR TO OPERATING OR COMMISSIONING THIS DEVICE.

¹ THIS PRODUCT HAS EN54-18 STANDARDS

1. Usage Purpose

It is designed for systems that have EN 54-18 standards and use ELEKS protocol.

SKK: It is used to amplify the Currents of the Extinguisher Panel outputs.

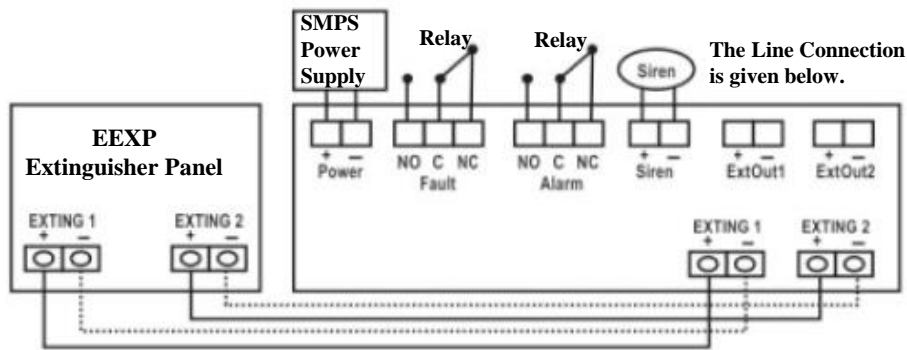
2. Technical Specifications

SKK ²	
Supply voltage	24 VDC/5A
Tranquility Current	72 mA
Power consumption	1,7w
Start Time	30 sec
Alarm Output	Dry Contact NO-C-NC 2A@30V
Fault Output	Dry Contact NO-C-NC 5A@250V
Siren Output	Max 100mA@24V Supply Output without monitoring
Extinguisher Output 1	1.5A@24V EOL=6K8 (1/4W)5% monitored
Extinguisher Output 2	1.5A@24V EOL=6K8 (1/4W)5% monitored
Extinguisher Input 1	Connected Fire Detection and Automatic Gas Extinguishing Control Panel (Efire-EEXP)
Extinguisher Input 2	Connected Fire Detection and Automatic Gas Extinguishing Control Panel (Efire-EEXP)
Protection Class	IP65
Operating Temperature	(-10 ⁰ C ~ 60 ⁰ C)
Relative Humidity	95%
Weight	577 gr
Dimensions	138x226x98

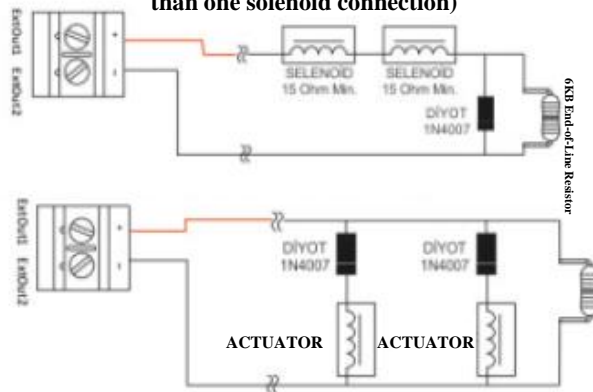
² The SMPS should only be connected to the board, not powered by anything else. Since there is no battery support, the system must be connected to the UPS.

3. Mounting Instructions:

Extinguishing Panel - SKK connection



Connection of solenoid valve to the SKK output (Low Impedance) Presentment of more than one solenoid connection)



Connection of solenoid valve to the SKK output (Low Impedance) Presentment of more than one solenoid connection)

4. Warnings

- Make sure to perform Periodic Maintenance.
- Call the authorized service for annual service.
- Avoid contacting with water, dust and chemicals.
- Do not touch with wet hands.
- The plastic enclosure should remain attached until the product is ready for use.
- The warranty period of the product is 2 (two) years.
- The life of the product, as specified by the Ministry, is 5 years.



TURKISH REPUBLIC
MINISTRY OF INDUSTRY AND TRADE OF PROTECTION OF
CONSUMER AND COMPETITION
GENERAL DIRECTORATE
WARRANTY CERTIFICATE

Approval Date and Number of Document:

In the use of this document; Permission has been granted by the Republic of Turkey General Directorate of Protection of Consumer and Competition pursuant to the Law No. 4077 on the Protection of the Consumer and the Regulation on the Implementation Principles of the Warranty Certificate, which was put into effect on the basis of this Law.

MANUFACTURER / IMPORTER

TITLE : Eleks Electric Electronic Systems Industry and Trade Limited Company
ADDRESS : Şerifali Region Bayraktar Avenue Emin Str. No:3 Yukarı
Dudullu - Umraniye / ISTANBUL
PHONE : 0216 463 47 28 -29 -30
FAX : 0216 463 47 31

COMPANY AUTHORITY

SIGNATURE-STAMP

THE PRODUCT'S

TYPE :
BRAND : ELEKS
MODEL :
BANDROLE AND SERIAL NO :
DELIVERY DATE AND PLACE :
WARRANTY PERIOD : 2 (TWO) YEARS
MAXIMUM REPAIR TIME : 30 WORKING DAYS

THE SELLER'S

TITLE :
ADDRESS :
PHONE :
FAX :
FAX INVOICE DATE AND NO :

Warranty Certificate

1. The warranty period starts from the delivery date and is 2 (two) years.
2. The entire product, including all parts, is under the guarantee of our company.
3. In case of malfunction of the product within the warranty period, the period of repair is added to the warranty period. The repair period of the goods is maximum 30 (thirty) business days. This period starts from the date of notification of the goods to the service station, or to one of the seller, dealer, agency, representative, exporter or manufacturer, respectively, if there is no service station.
4. In case of malfunction of the product due to material and workmanship or assembly faults within the warranty period, it will be repaired without any demand under any other name, such as labor cost, replacement part cost, or any other name.
5. For this product
 - From the date of delivery, within 1 (one) year, provided that it remains within the warranty period, the continuity of the inability to benefit from the product as a result of the same failure being repeated more than 2 times or different failures occurring more than 4 times,
 - Exceeding the maximum time for repair,
 - In case the service station is not available, in case it is determined that the repair of the fault is not possible with a report to be prepared by one of the dealers, dealers' agents, representatives, importers or manufacturers, respectively, a replacement will be made free of charge.
6. Defects resulting from the use of the product contrary to the terms in the user manual are not covered by the warranty.
7. For problems that may arise regarding the warranty certificate, they can apply to the Ministry of Industry and Trade, General Directorate of Protection of Consumer and Competition.

In the use of this guarantee certificate; Pursuant to the Law on the Protection of the Consumer No. 4077 and the Regulation on the Implementation Principles of the Warranty Certificate, which was put into effect on the basis of this law, T.R. Singing. Trade It has been prepared in accordance with the following documents obtained from the Ministry of

AUTHORIZED SERVICE

MANUFACTURER / Headquarters Service

PRODUCER COMPANY / SERVICE CENTER

TITLE Eleks Electric Electronic
Systems Industry and Trade
Limited Company

ADDRESS : Şerifali Region Bayraktar
Avenue Emin Str. No:3
Yukarı
Dudullu - Umraniye /
ISTANBUL

PHONE : 0216 463 47 28 -29 -30

FAX : 0216 463 47 31

E-mail : eleks@eleksyangin.com

Web : www.eleksyangin.com



2765
20
2765-CPR-0165/8

EN 54-18
Zone Amplifier Board
Efire – ZKK
Performance Declaration No: ELEKS-026.000

